

Volume controls for Channel 7, Channel 8, AUX 1, and AUX 2 are available with the FS-03's version 1.4 software shipping April 2002.

	Channel 7	Channel 8	AUX 1	AUX 2
Gain Structure*	-6 to +63**	-6 to +63	+6	+6
Volume Control Range	-60 to +6	-60 to +6	-60 to +6	-60 to +6
Command VOLUME UP	N	P	J	L
Command VOLUME DOWN	O	Q	K	M
Change to Telco Sources	No change	No change	No change	No change
Change to In-room Speakers	+/- in 1dB increments	+/- in 1dB increments	+/- in 1dB increments	+/- in 1dB increments
Active Presets for Vol Control***	3 & 4 only	3 & 4 only	All	All

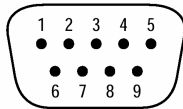
*FS-03 application required to adjust

**Channels 7 & 8 are set to 0dB when presets 3 or 4 are selected.

***FS-03 ships with preset 1 loaded. Change preset through logic input or FS-03 application.

RS-232 Control

The FS-03 has an RS-232 Serial Port, which allows it to be controlled by a third party control system. The FS-03 Serial Port transmits serial data on pin 3 (TxD), receives serial data on pin 2 (RxD), and provides a ground on Pin 5. The Data Terminal Ready (DTR) & Request To Send (RTS) output signals are connected to the +12 Volt power supply (through a resistor) and are always asserted when the FS-03 power is on.

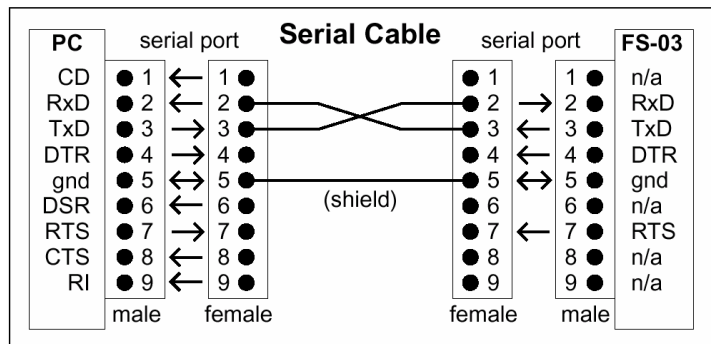


pin #1 = not used
 pin #2 = Receive Data (RxD) input
 pin #3 = Transmit Data (TxD) output
 pin #4 = Data Terminal Ready (DTR) output
 pin #5 = ground

pin #6 = not used
 pin #7 = Request To Send (RTS) output
 pin #8 = not used
 pin #9 = not used

serial port

The FS-03 only requires receive data (pin 2), transmit data (pin 3), and signal ground (pin 5) to be connected for successful data communications (see cable diagram below).



NOTE: External volume controls will vary the optimized teleconferencing feed and are not recommended.